

8

7

6

5

4

3

2

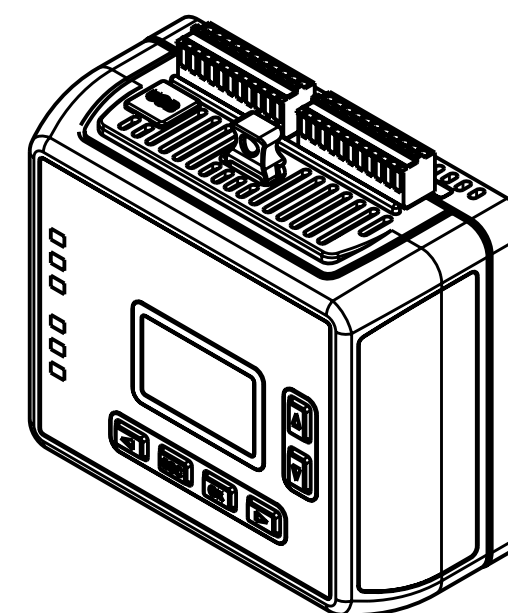
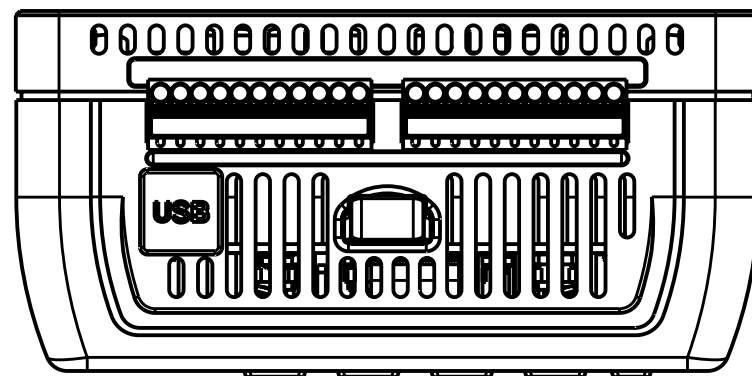
1

D

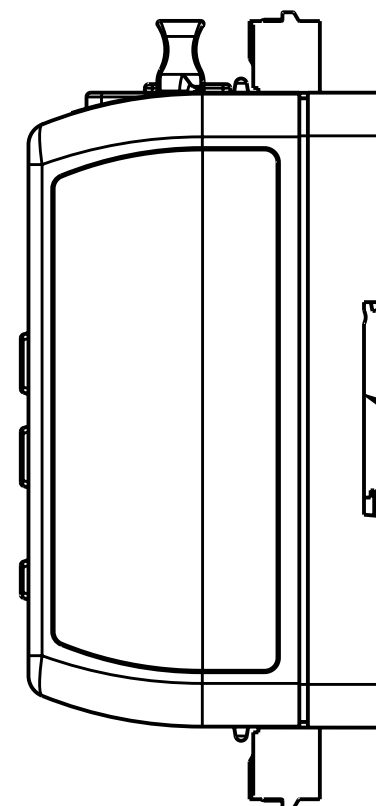
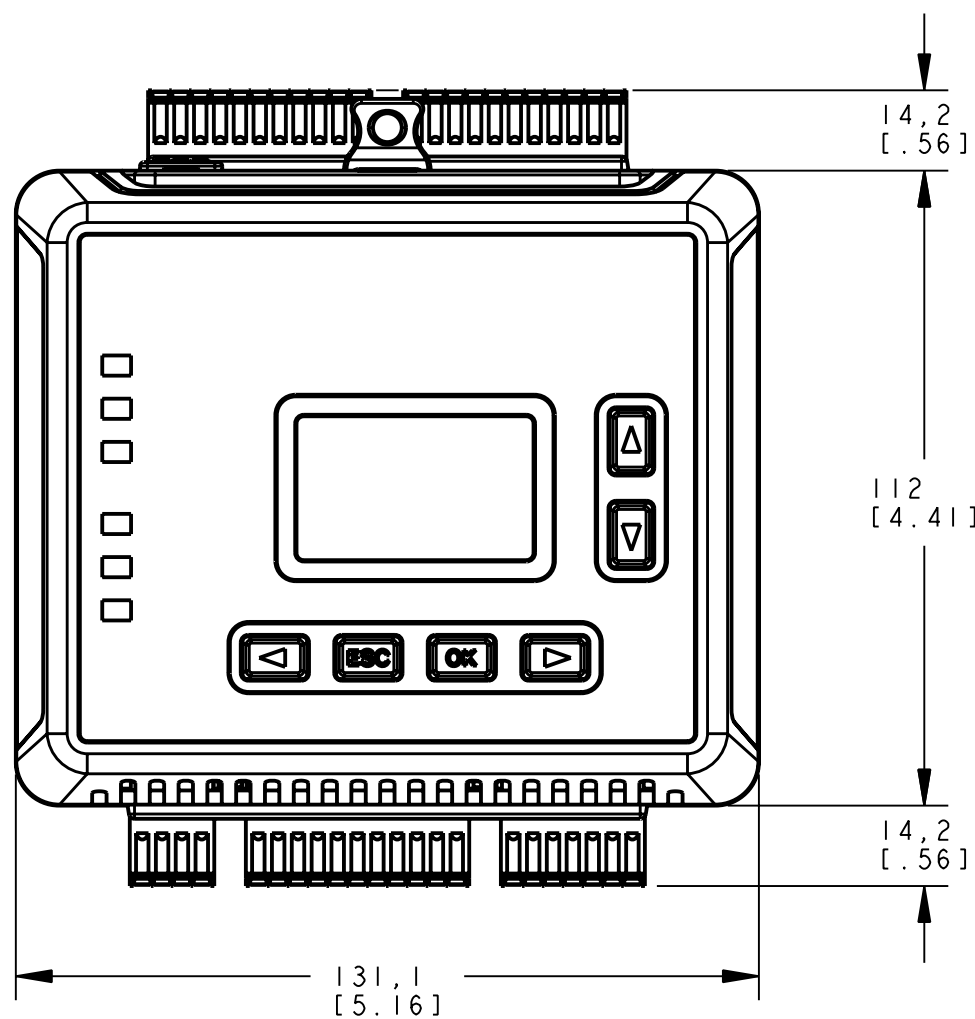
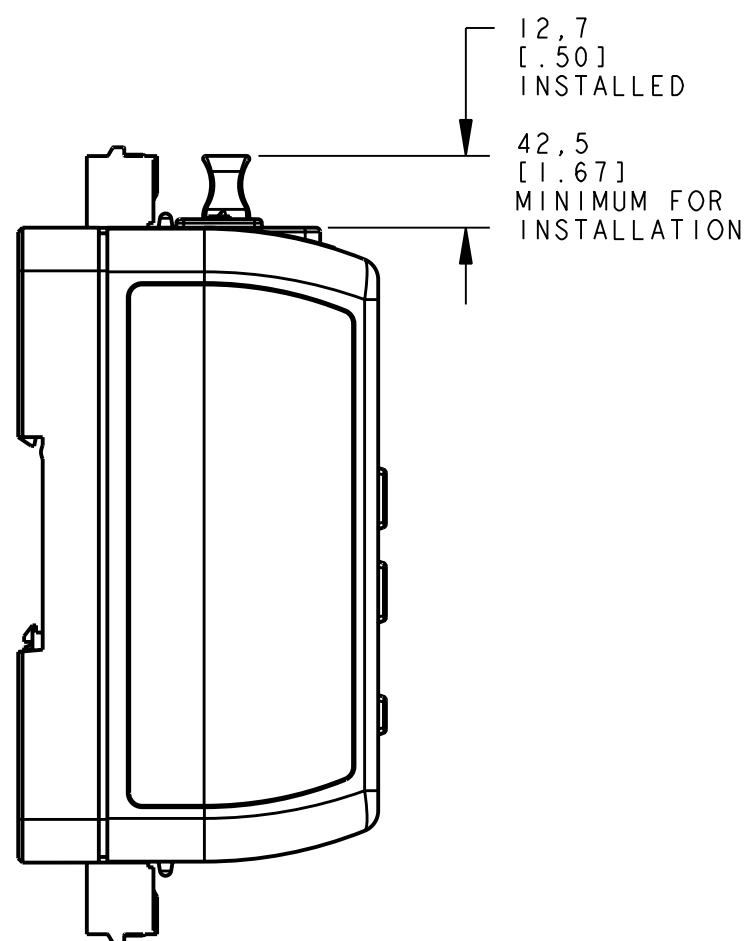
C

B

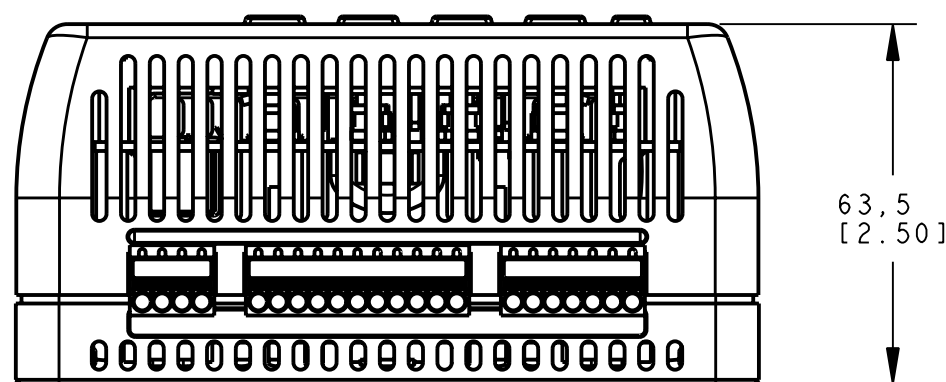
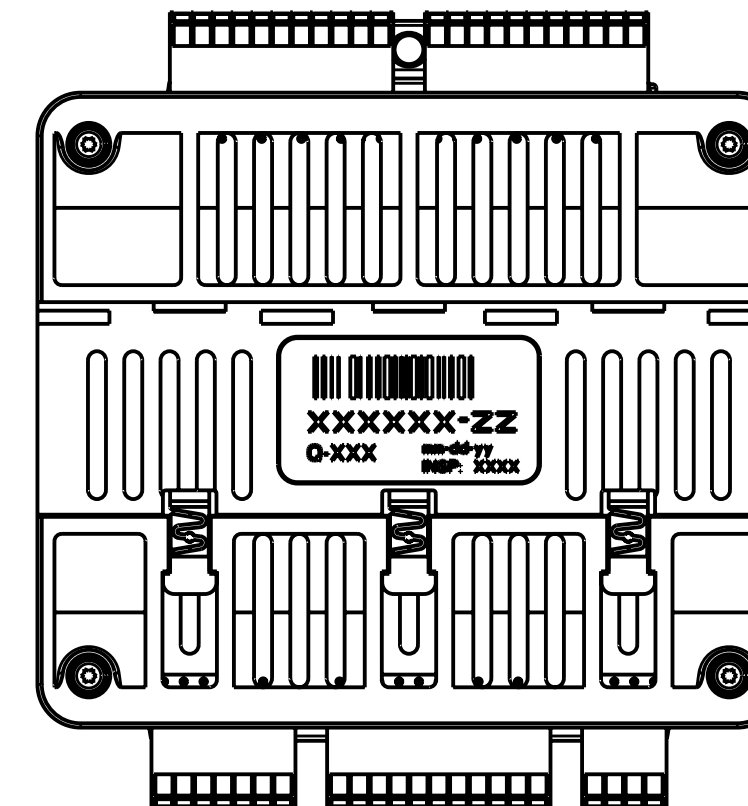
A



ISOMETRIC VIEW
SCALE 1:2



CHANNEL FOR
35 MM DIN RAIL



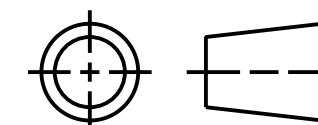
NOTES:
1. ALL DIMENSIONS ARE MILLIMETERS [INCHES] UNLESS OTHERWISE NOTED.

This drawing is the property
of BANNER ENGINEERING CORP.
and is proprietary in general
and in detail. Its contents
shall not be revealed to
outside parties without
written consent of BANNER.



BANNER ENGINEERING CORP.
P.O. BOX 9414
MINNEAPOLIS, MN 55440

THIRD ANGLE PROJECTION



TITLE
**SC22-3-C
WEB CAD DRAWINGS 2D/3D**

SIZE C DRAWING NO. **146255** REV. -

SCALE 3:4 SHEET 1 OF 1

PRO/E

8

7

6

5

4

3

2

1